

TOTO®

Perfection by Design

CST754SF Dartmouth 2 Piece Toilet, Universal Height, 1.6 GPF



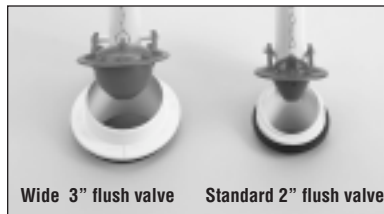
CST754SF - Dartmouth Toilet
SS154 - Traditional SoftClose Seat



G-Max Technology:
Quiet, powerful,
commercial grade
flushing
performance.



Choose a Traditional
SoftClose toilet
seat, or upgrade to
a Washlet.



Fast Flush: Wide 3" flush valve is 125% larger
than conventional 2" flush valves.

- Classic design, two-piece toilet.
- Universal Height 16-1/8" rim height.
- Wide 2-1/8" computer designed trapway
- G-Max Technology
- Powerful, quiet flush every time
- Large water surface

High profile ADA compliant two-piece toilet with 12" rough-in. Low consumption (6 Lpf/1.6 Gpf) siphon jet flushing action.

Tank cover, fittings, color matched trip lever, less seat.

■ CST754SF

Elongated, less seat. 12" rough-in.

□ C754SF

Elongated front bowl only, 12" rough-in.

□ ST753S

Dartmouth tank and cover only. Complete with tank trim and coupling components.

□ SS154

Traditional SoftClose Seat: Traditional styled seat and lid gently close with a touch of the hand. Elongated, closed front seat with lid.

□ SS114

Elongated closed front toilet seat and cover with SoftClose hinge system. Mounting hardware included.



Colors:

Standard #01 Cotton

Optional See price book for additional colors

Trip Lever:

Standard Color Matched

Optional See price book for additional finishes

CST754SF

Dartmouth 2 Piece Toilet, Universal Height, 1.6 GPF

■ PERFORMANCE

The TOTO 1.6 GPF toilet scored the highest possible rating in independent laboratory performance tests. With a powerful and quiet flush design, the toilet also offers a large water surface.

■ SPECIFICATIONS

Water Use: 6Lpf/1.6Gpf
Flush System: Gravity Feed (G-Max System)
Min. Water Pressure: 8 psi
Water Surface: 10-3/8" x 8-1/4"
Trap Diameter: 2-1/8"
Rough-in: 12"
Trap Seal: 2-3/8"
Warranty: Five Year Limited Warranty
Material: Tank & Bowl: Vitreous china


Shipping Weight: **ST753S** 39-1/2 lbs.
C754SF 56-1/2 lbs.

Shipping Dimensions: **ST753S** 22-1/8"L x 10"W
x 17-3/4"H
C754SF 29-1/8"L x 11-7/8"W
x 15"W²
x 17-3/8"H

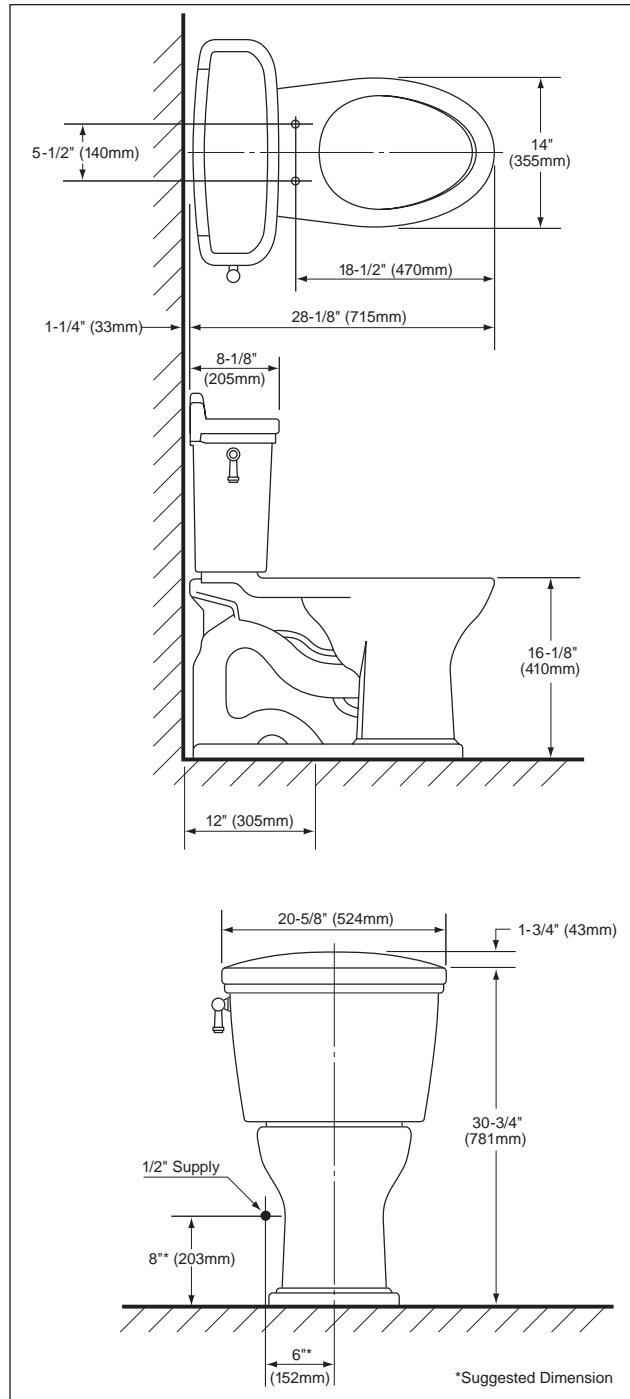
Cubes: **C754SF** 3.9
ST753S 2.3

Fixture dimensions and hydraulic performance meet or exceed ANSI/ASME standard A112.19.2M and CAN/CSA B 45 requirements.

Listing and approval: IAPMO/UPC, CSA, City of Los Angeles, State of MA, and others

 *Meets the American Disabilities Act Guidelines and ANSI A117.1 requirements where installed so top of seat is 17"-19" from the finished floor.
Recommended seat: SS154*

These dimensions and specifications are subject to change without notice.



CST754SF - Dartmouth Toilet

TOTO[®]
Perfection by Design

TOTO U.S.A., INC. • 1155 Southern Road, Morrow, GA 30260
Tel. (770) 282-8686 • Fax. (770) 282-8701 • www.totousa.com
Printed in U.S.A. © TOTO LTD. 10/02 #A10105

Printed on recycled paper 

REV 10/02